

Essential Fabric Display – Shark Fin

Assembly Instructions

Overview:

Essential fabric displays combines state-of-the-art zipper pillowcase dye-sublimated fabric coverings with advanced lightweight aluminum structures to provide unique design, functionality, and style. The excellence of the Essential Fabric line of displays, hanging structures and products is simply unmatched. Stretch fabric graphics are hand-sewn, durable and dry-cleanable.

Features and Benefits:

- State-of-the-art 30mm aluminum tube frame with snap button assembly
- Easy to store and ship
- Quick to set up
- Kit includes: one frame, dye-sublimated zipper pillowcase graphic, and one wheeled molded OCB storage case
- Lifetime hardware warranty against manufacturer defects

Hardware Dimensions:

Assembled unit: 70" w x 86" h x 17.7" d 1778mm(w) x 2184mm(h) x 450mm(d)	Approximate weight with cases: 17 lbs / 7.7 kg
--------------------------------------------------------------------------------	------------------------------------------------

Graphic Material:

Dye-sublimated zipper pillowcase fabric



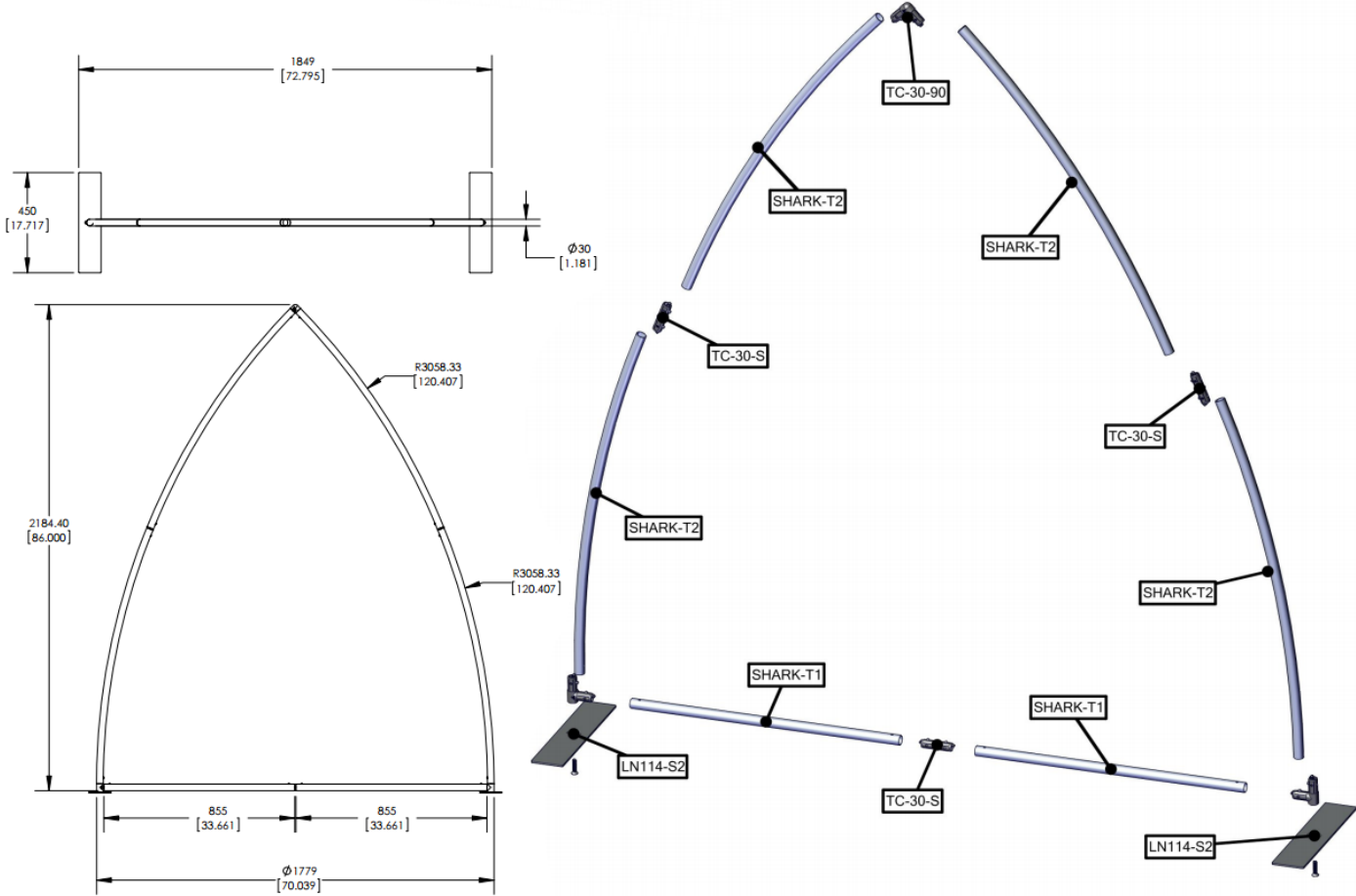
Items Included:

Parts Included		
Part Label	Qty	Part Code
5MM STEEL BASE STYLE 2 FOR LINEAR	x2	LN114-S2
855MM X 30MM TUBE	x2	SHARK-T1
R3043MM X 30MM CURVED TUBE	x4	SHARK-T2
90 DEGREE ELBOW JOINT FOR 30MM TUBING WITH INSERT FOR BASEPLATE	x2	TC-30-90B
90 DEGREE ELBOW JOINT FOR 30MM TUBING	x1	TC-30-90
INLINE CONNECTOR FOR 30MM TUBING	x3	TC-30-S

Essential Fabric Display – Shark Fin

Assembly Instructions

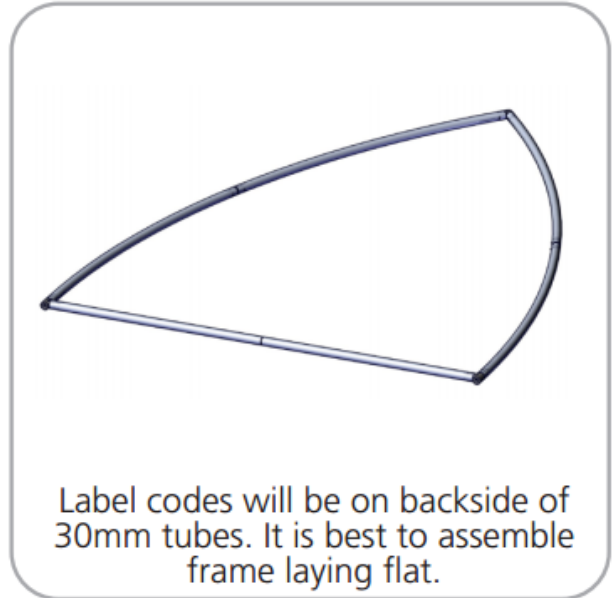
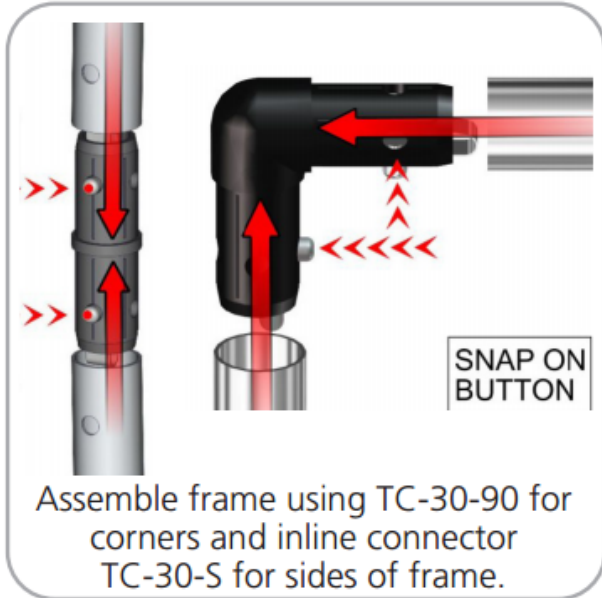
Assembly View:



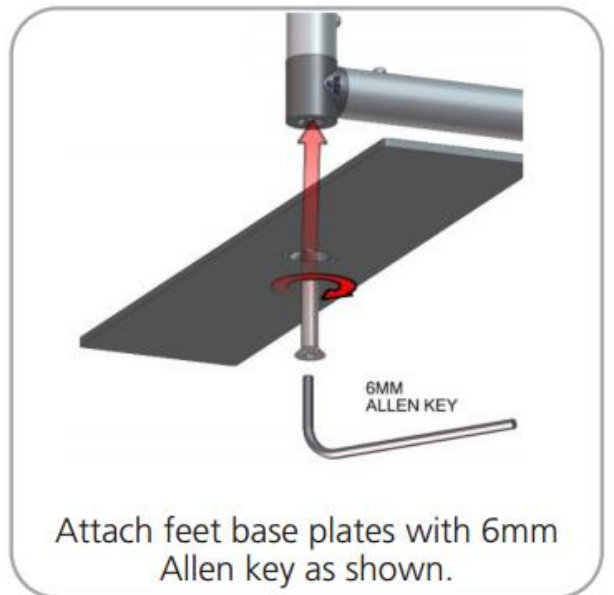
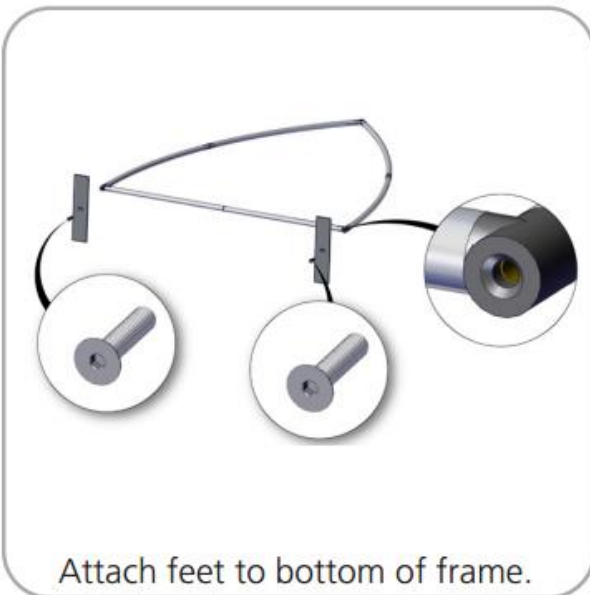
Assembly Instructions

Step by Step Instructions:

STEP 1: ASSEMBLE FRAME



STEP 2: ATTACH BASE



Essential Fabric Display – Shark Fin

Assembly Instructions

STEP 3: ATTACH GRAPHIC

